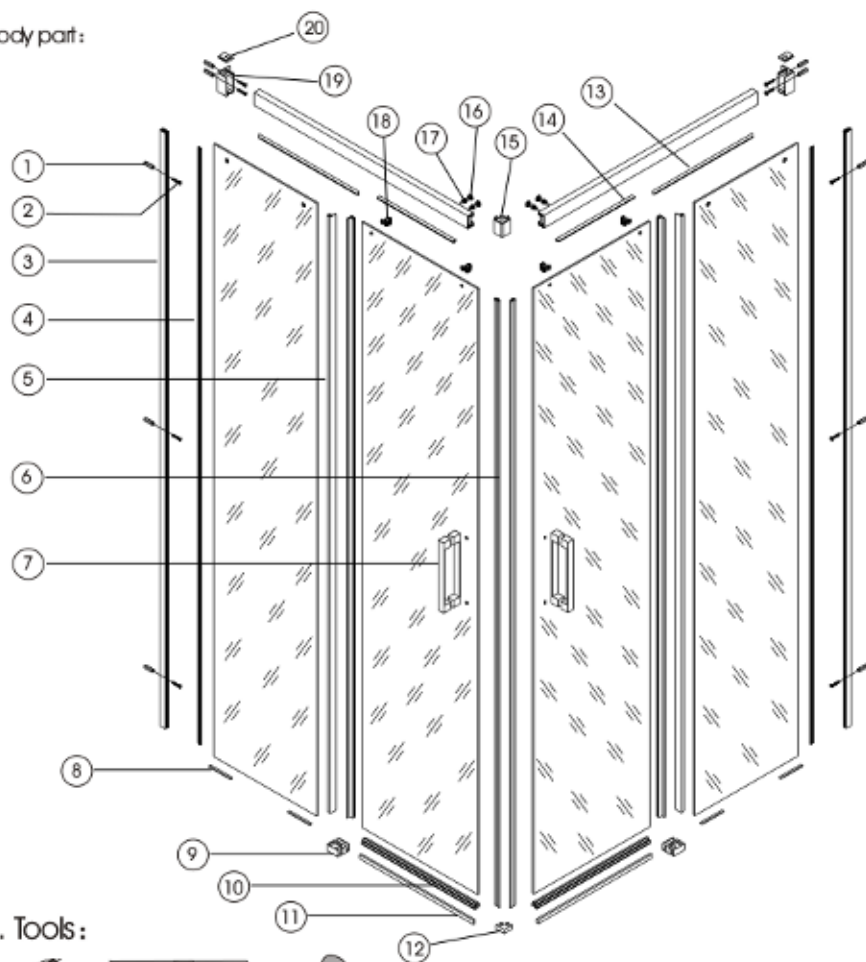


Installation instruction

I. Body part:



II. Tools:



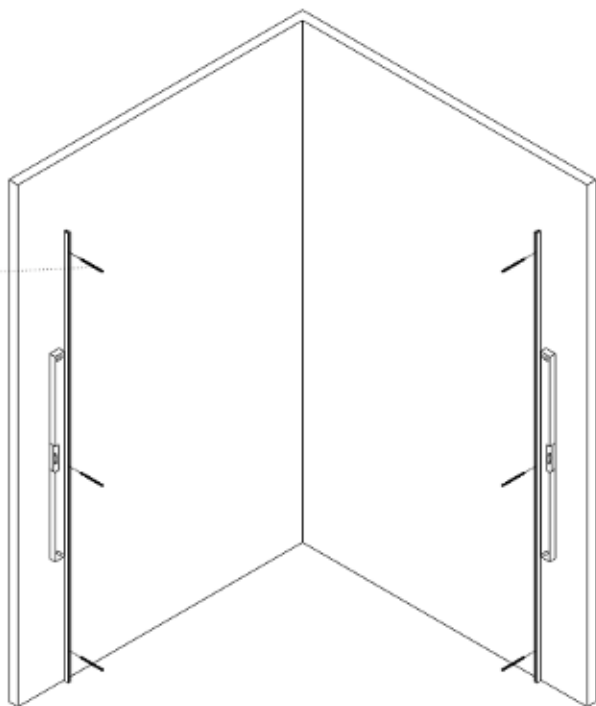
III. Hardware list:

Number	Pic	Qty	Number	Pic	Qty	Number	Pic	Qty	Number	Pic	Qty
1		10	6		1	11		1	16		4
2		10	7		2	12		1	17		4
3		2	8		2	13		2	18		4
4		2	9		1	14		2	19		LR1
5		4	10		1	15		1	20		2

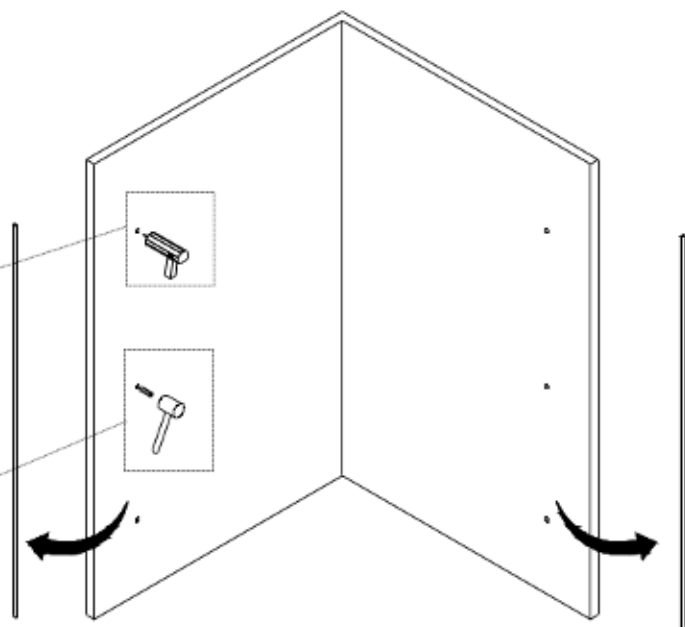
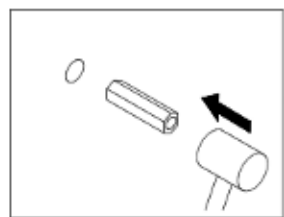
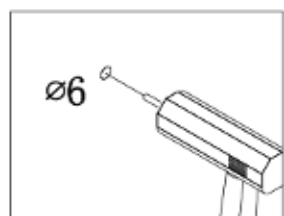
IV. Steps:

1

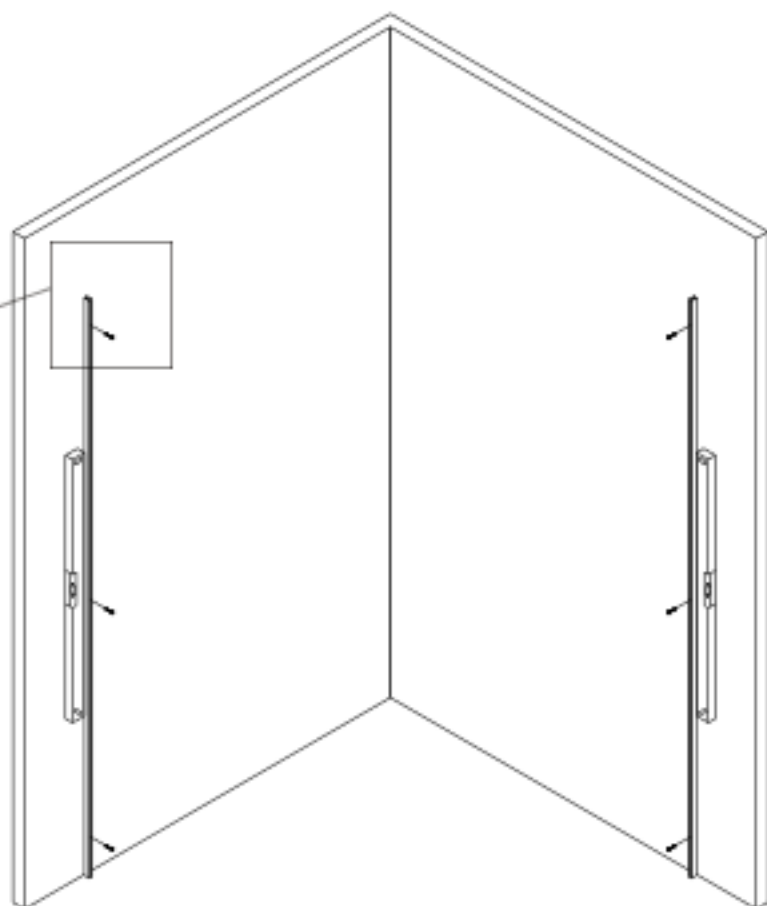
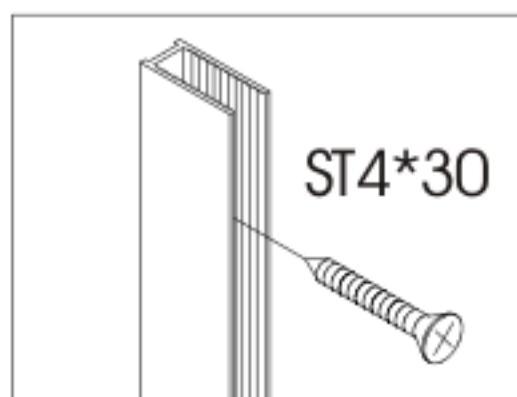
Pencil



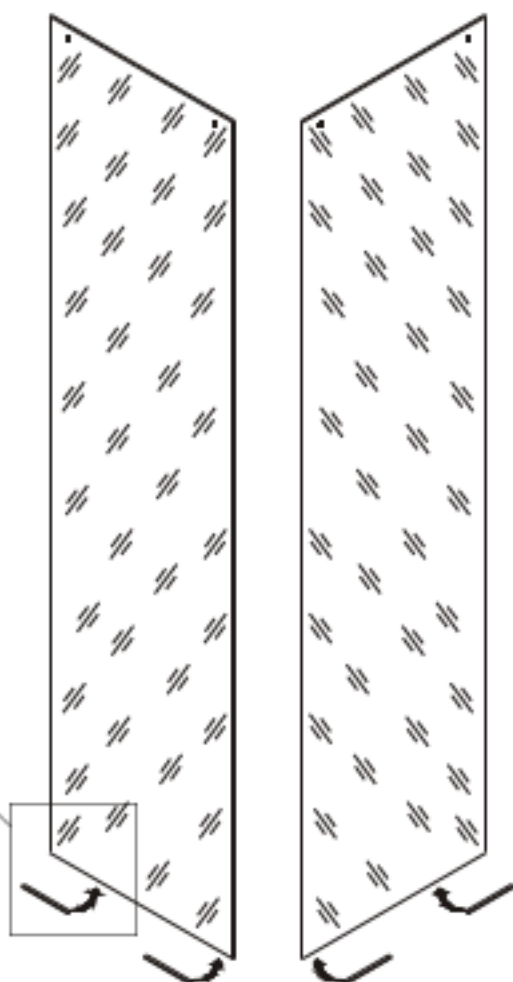
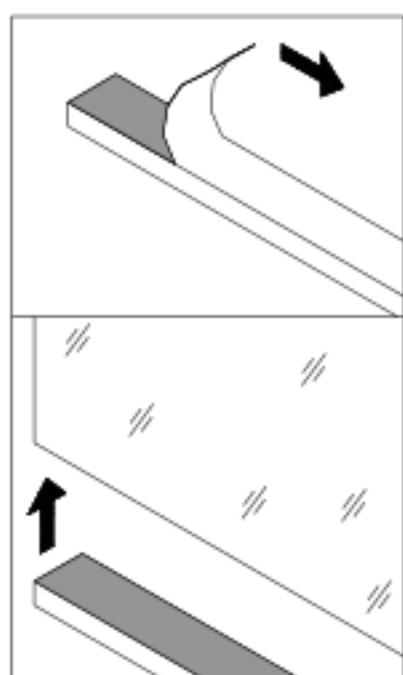
2



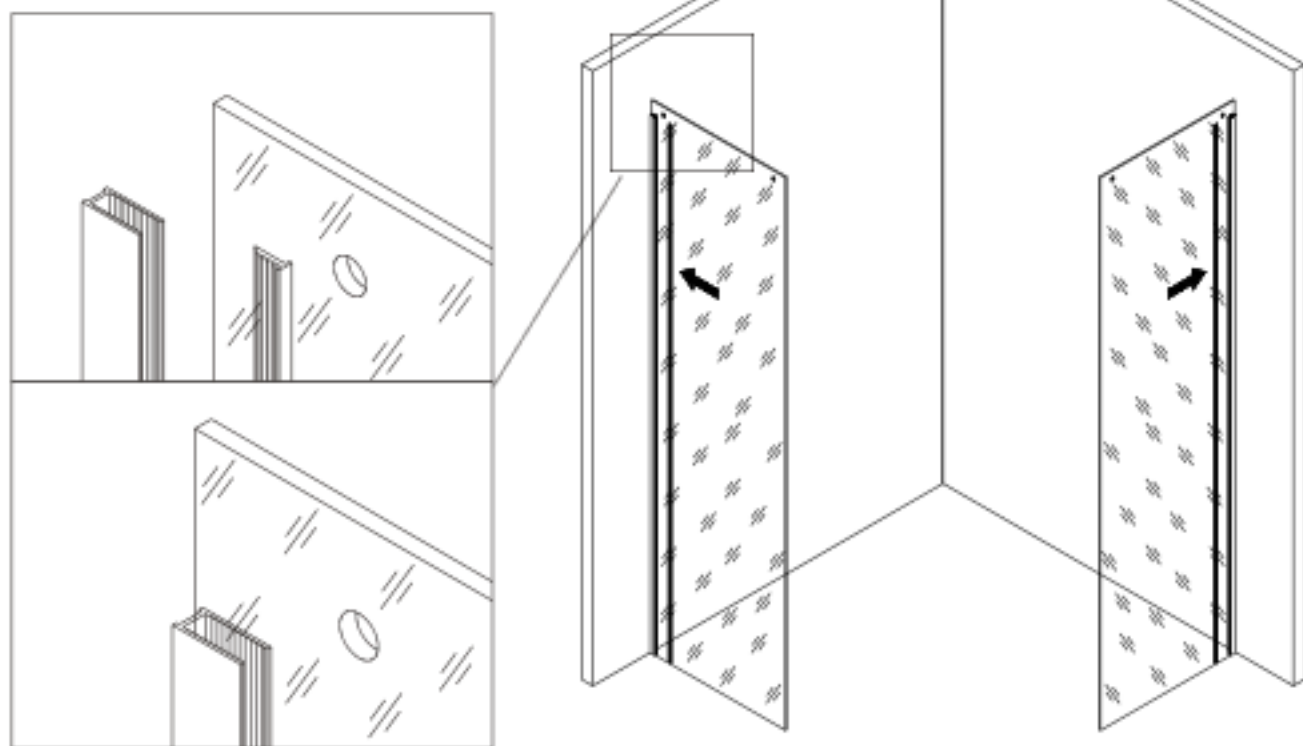
3



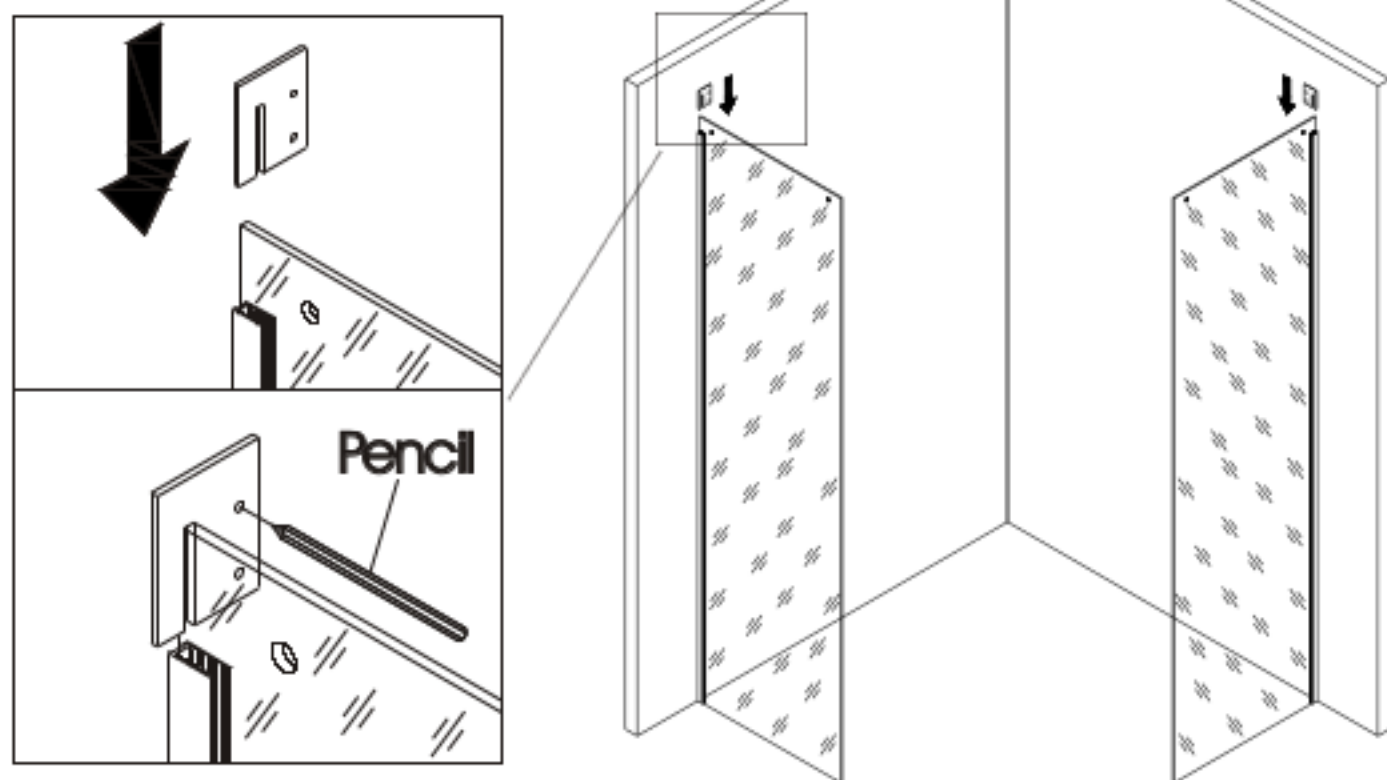
4



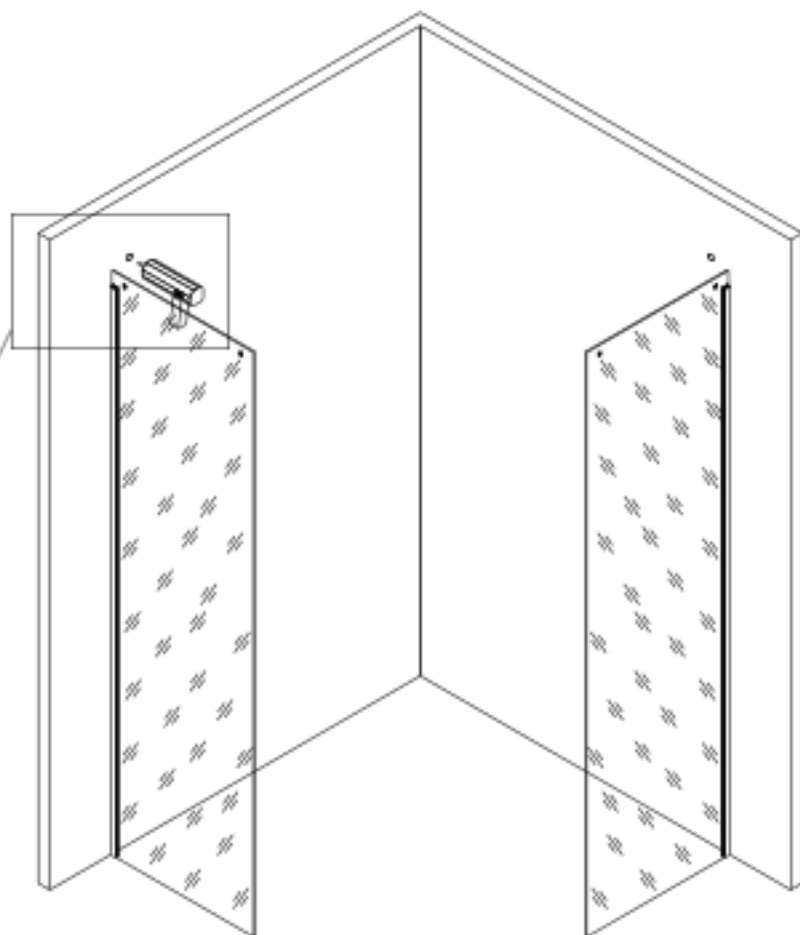
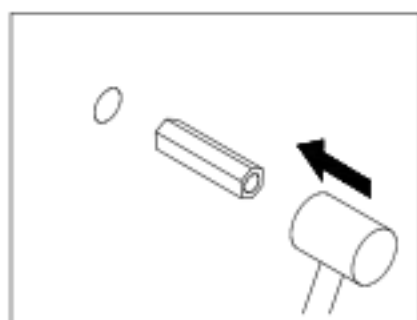
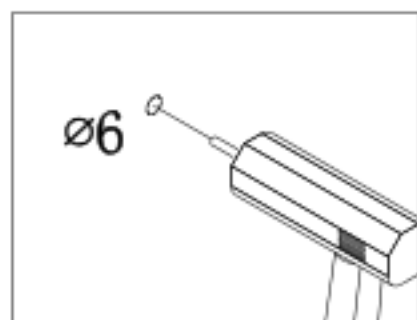
5



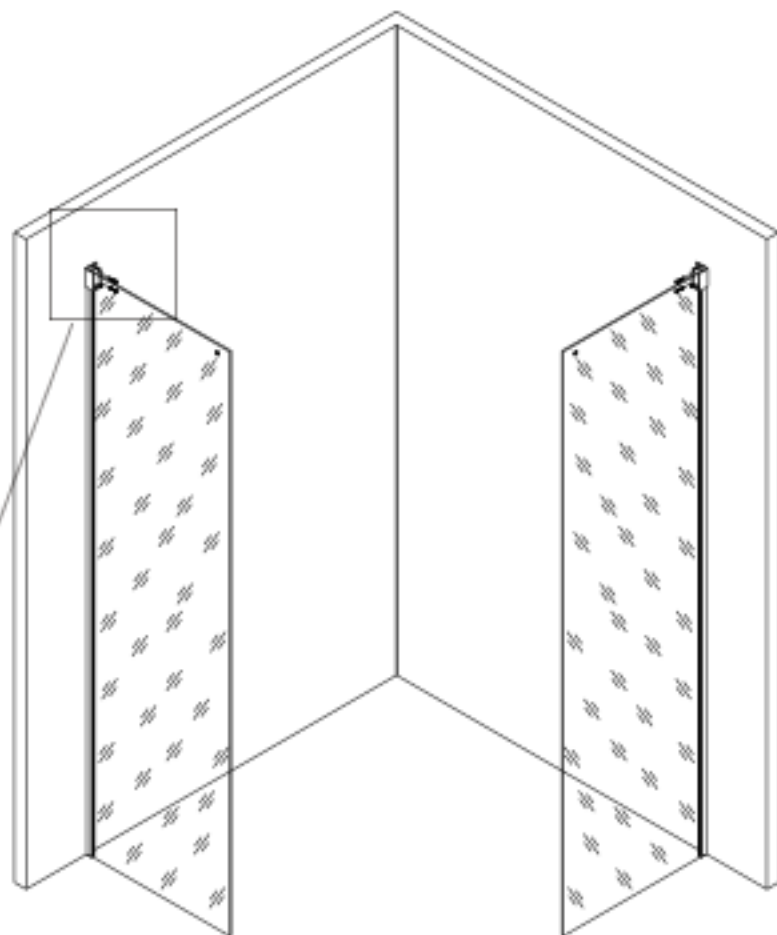
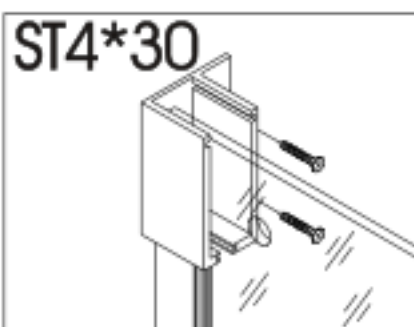
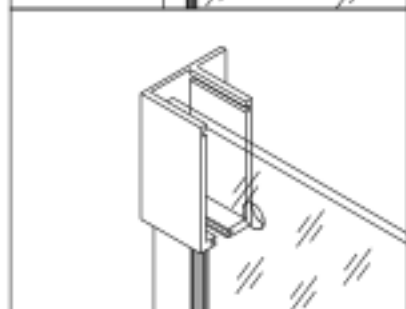
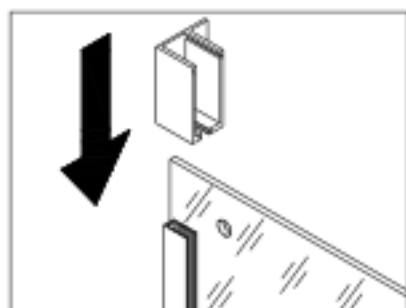
6



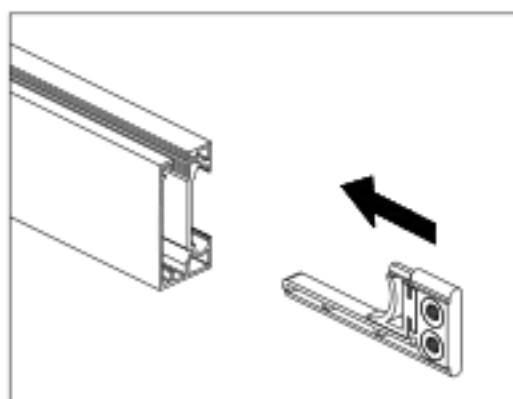
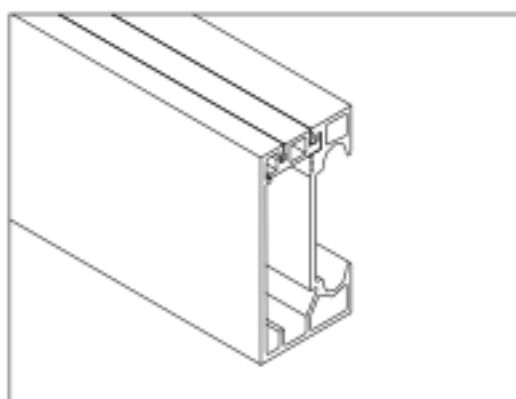
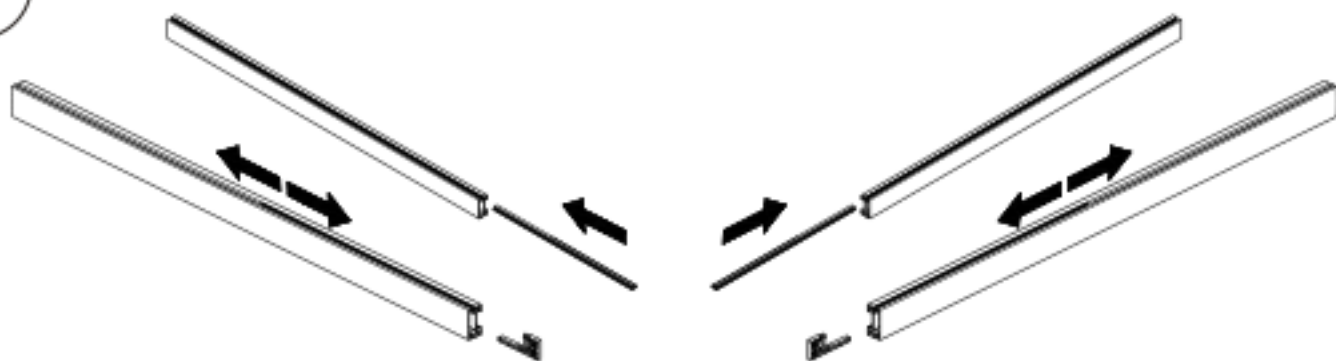
7



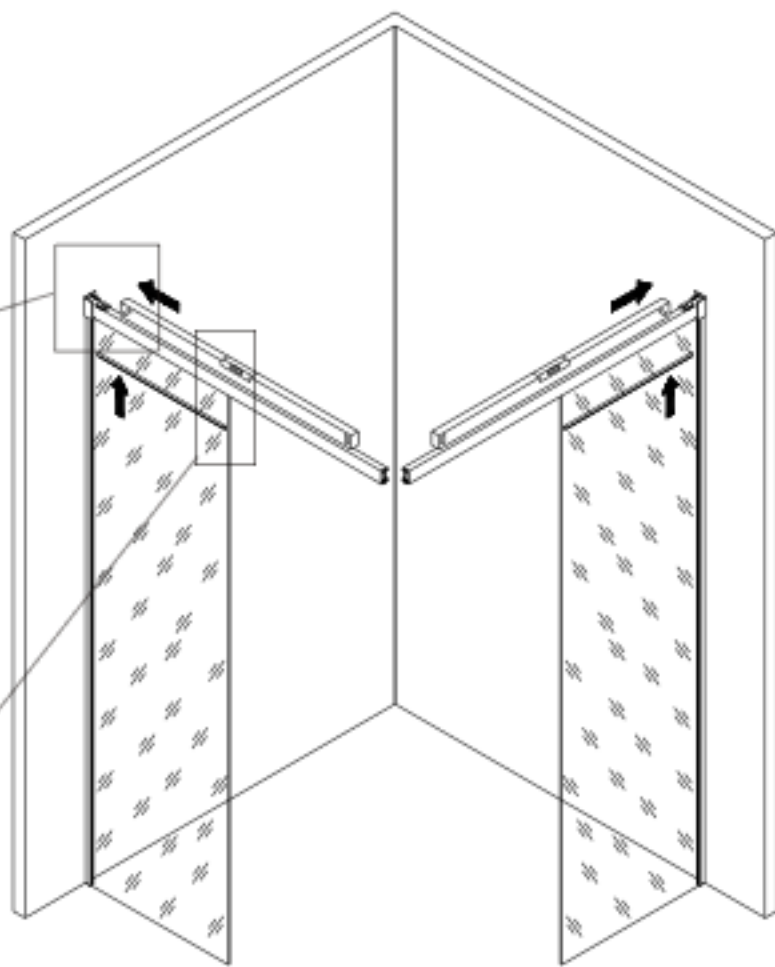
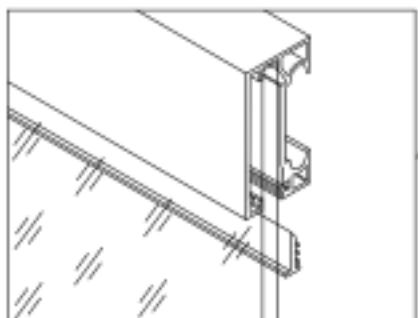
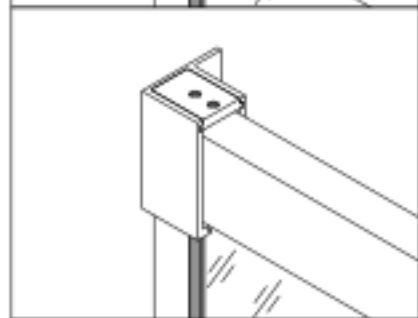
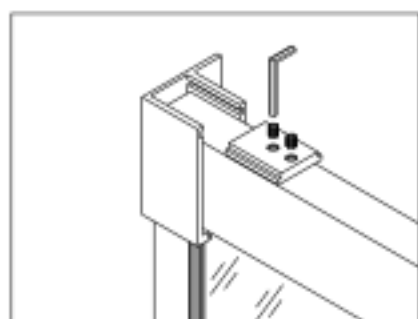
8



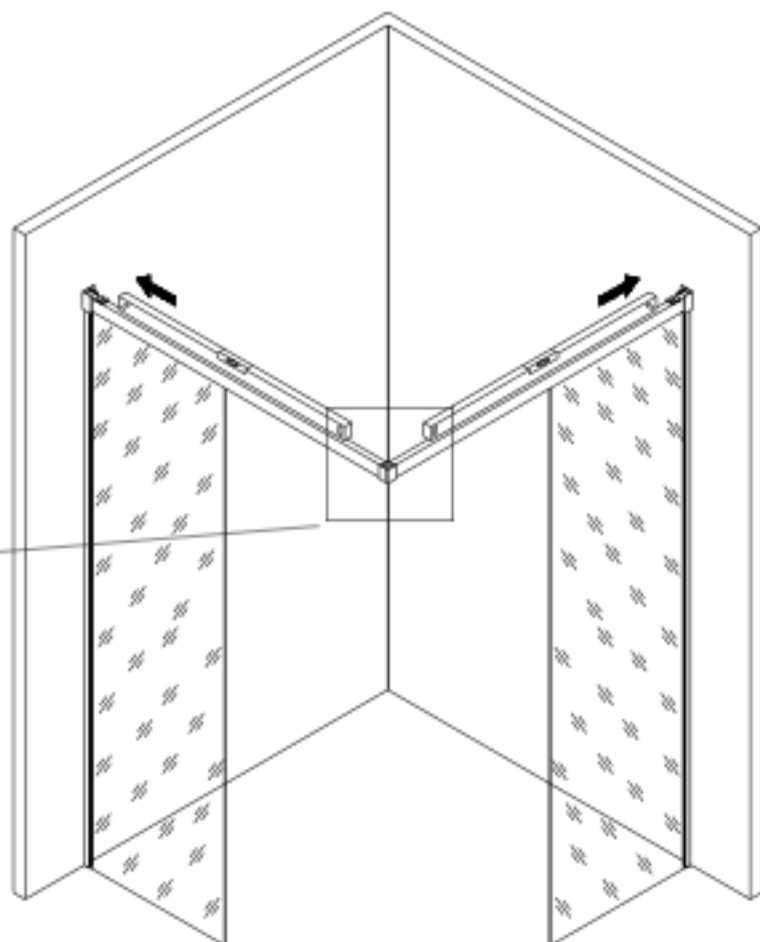
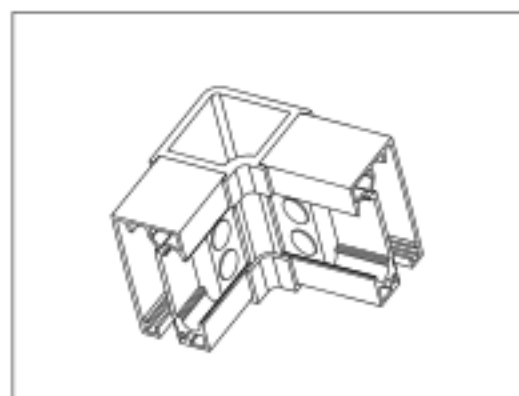
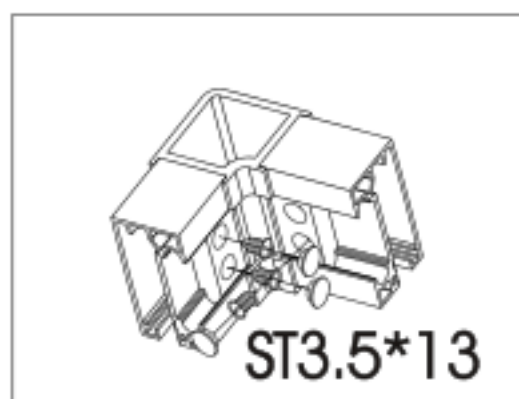
9



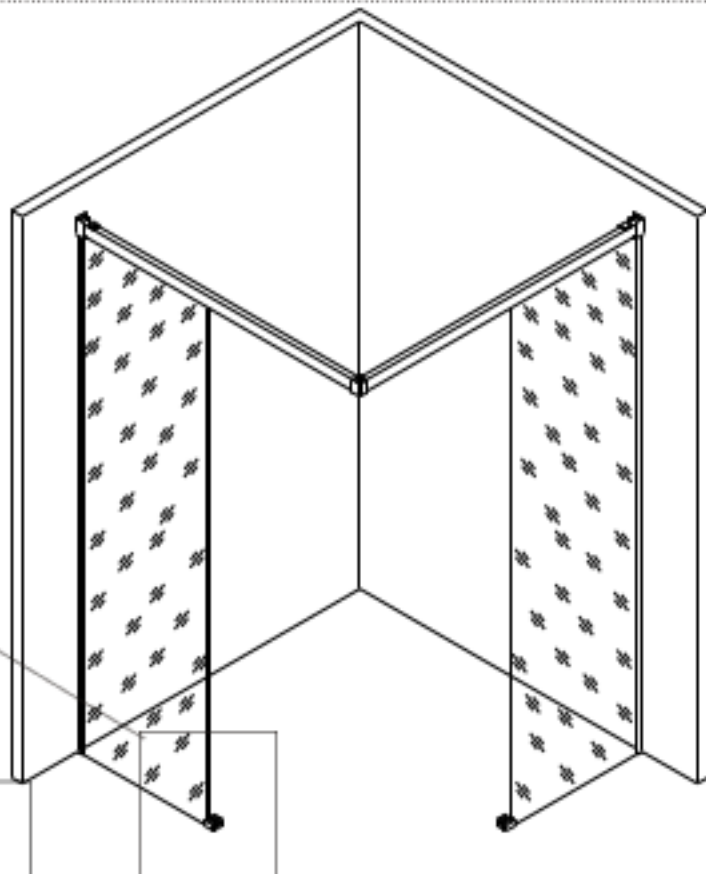
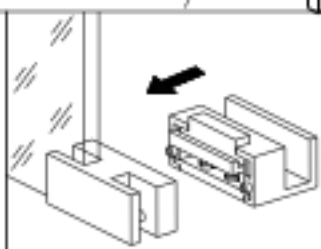
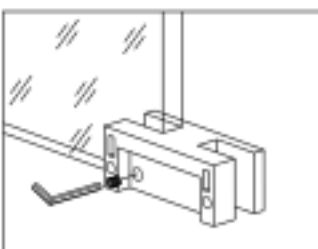
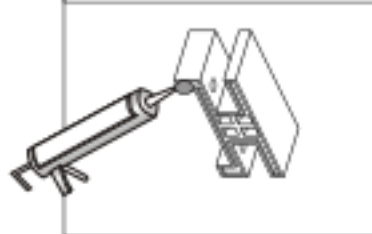
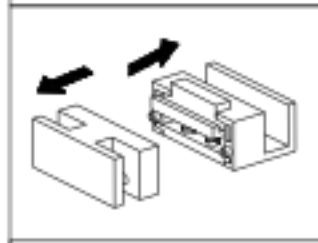
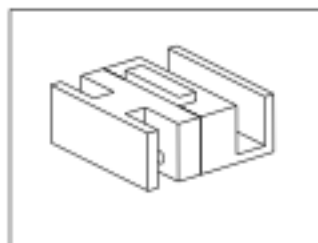
10



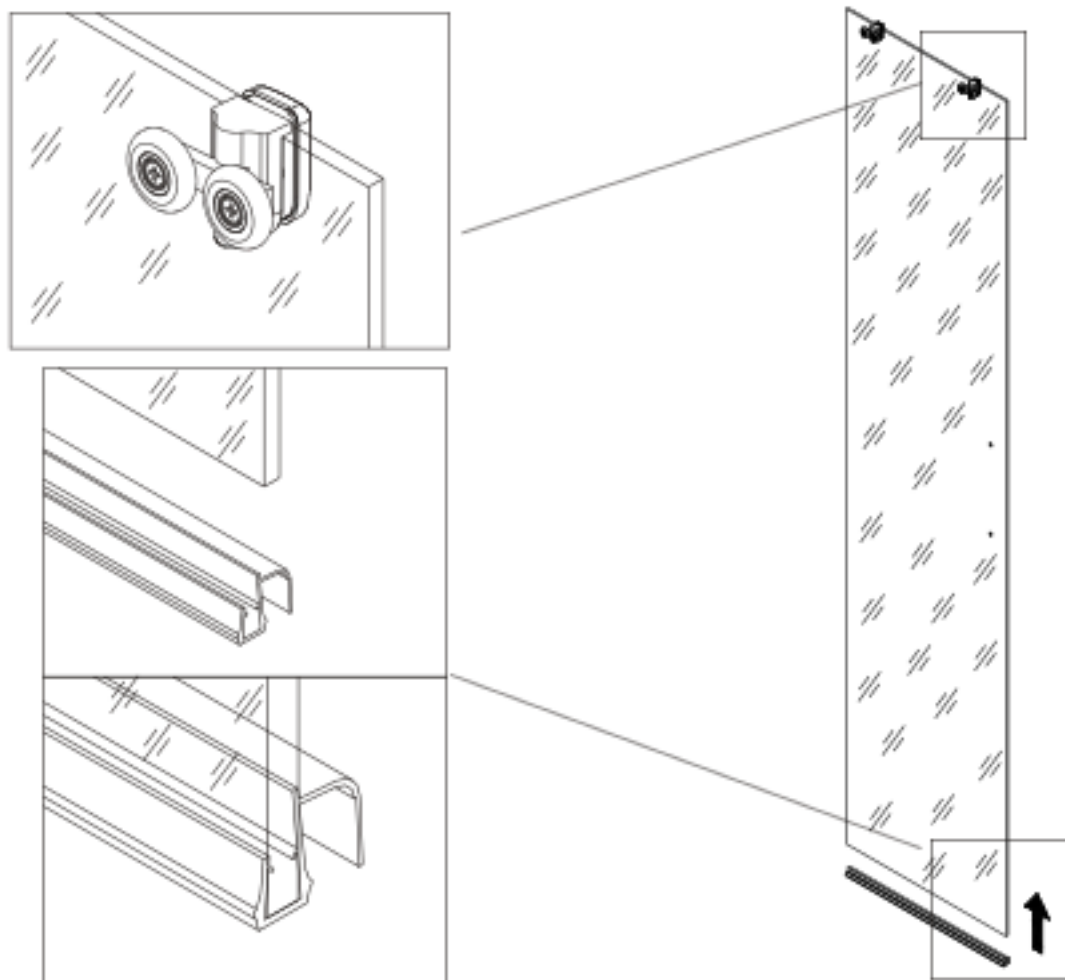
11



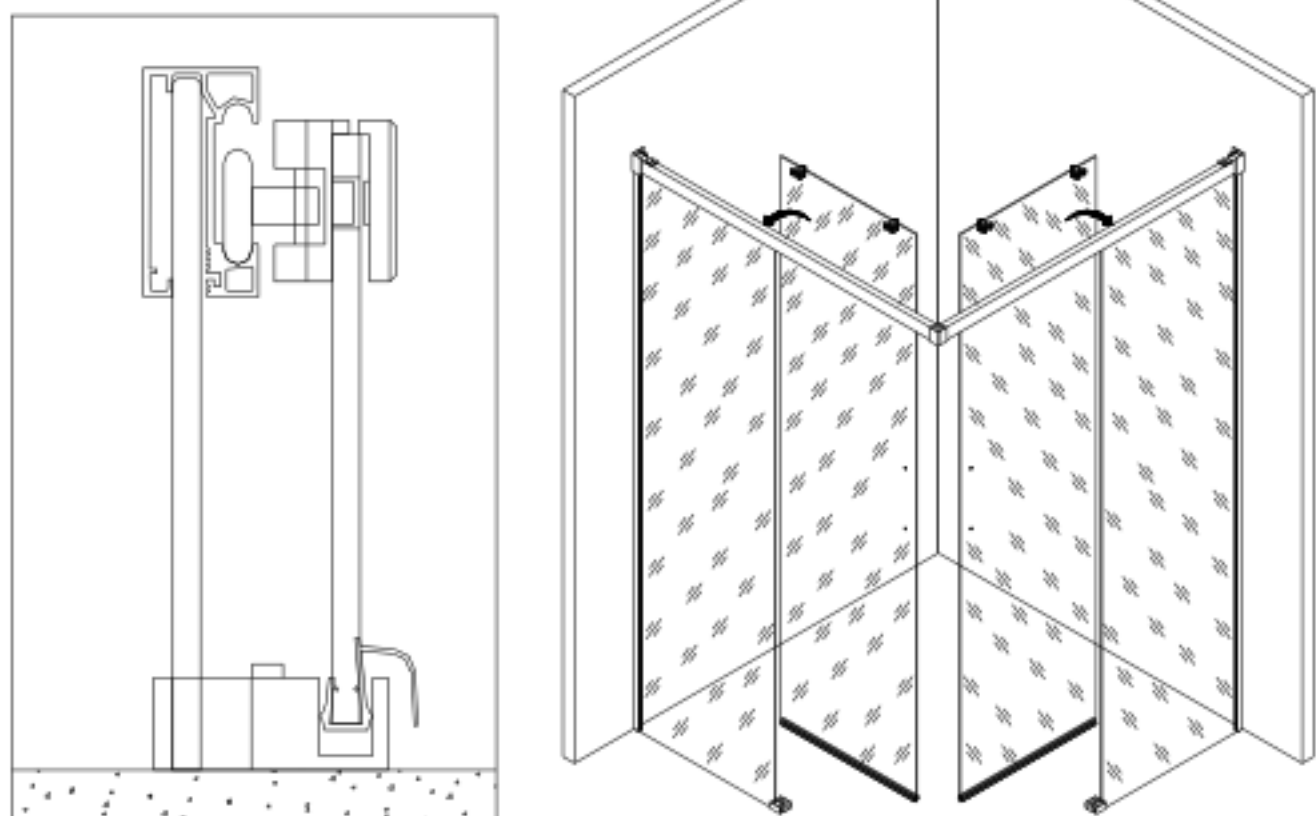
12



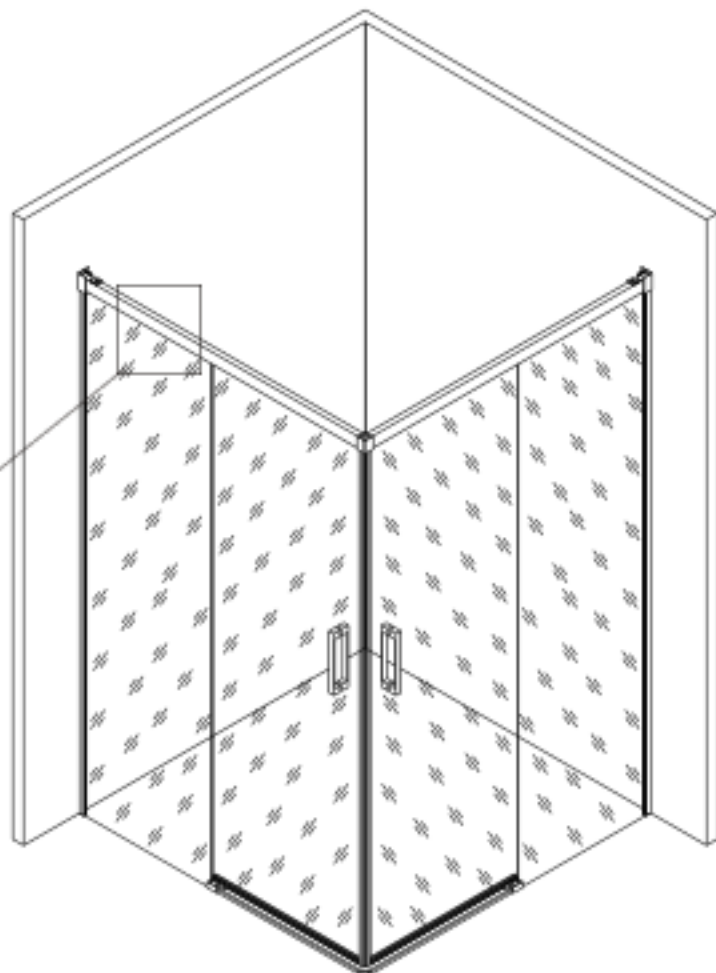
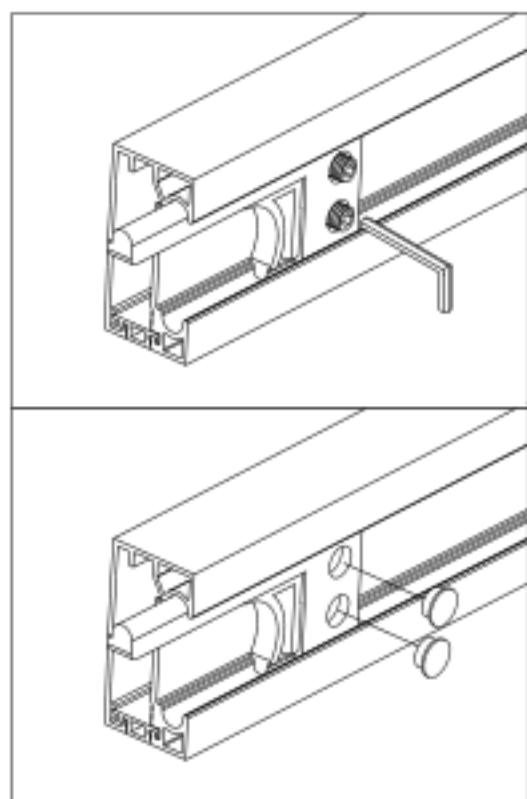
13



14



17



18

